



# Sanjay Ghodawat University Kolhapur

Established as a State Private University under Govt. of Maharashtra Act No. XL dated 3rd May 2017

***Empowering Lives Globally !***

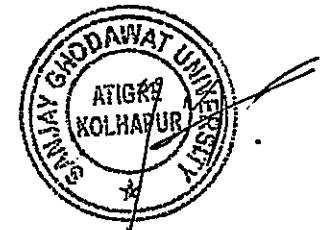
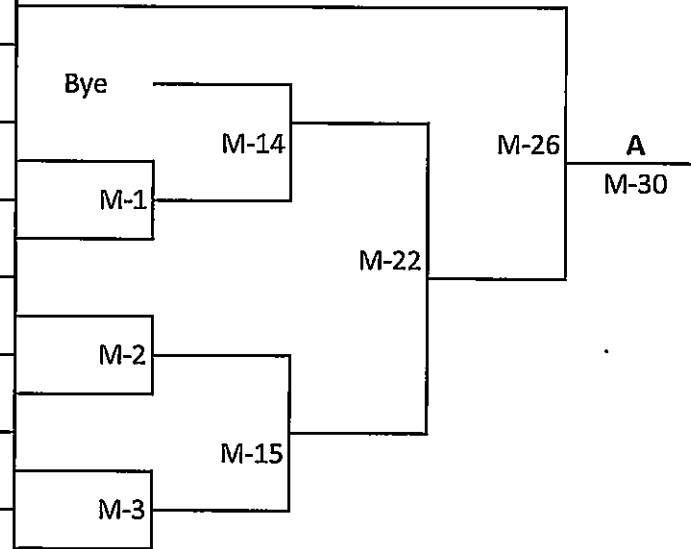
**West-Zone Inter University Tennis Men & Women Tournament 2025-2026**

**Date of Tournament 7 to 11 Jan 2026**

**Fixtures for Women's**

## **Pool - A**

|   |   |
|---|---|
| 1 | Punyashlok Ahilyadevi Holkar Solapur University             |
| 2 | Lok Jagruti Kendra University, Gujarat                      |
| 3 | MIT-World Peace University                                  |
| 4 | Laxmibai National Institute, Gwalior, Madhya Pradesh        |
| 5 | Krantiguru Shyamji Krishna Verma Kachchh University, Gujrat |
| 6 | MGM University, Chhatrapati Sambhajinagar                   |
| 7 | Gujrat Technological University                             |
| 8 | Ratrasant Tukadoji Maharaj , Nagpur                         |





# Sanjay Ghodawat University Kolhapur

Established as a State Private University under Govt. of Maharashtra Act No. XL dated 3rd May 2017

***Empowering Lives Globally !***

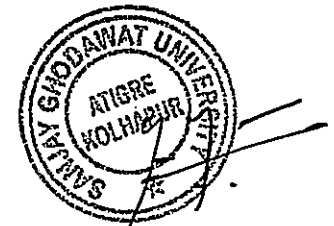
**West-Zone Inter University Tennis Men & Women Tournament 2025-2026**

**Date of Tournament 7 to 11 Jan 2026**

**Fixtures for Women's**

## **Pool - B**

|    |   |     |      |      |      |  |      |  |
|----|---|-----|------|------|------|--|------|--|
| 9  | Sanjay Ghodawat University, Kolhapur              |     |      |      |      |  |      |  |
| 10 | Maharaja Sayajirao University of Baroda, Vadodara | M-4 |      |      |      |  |      |  |
| 11 | Maharaja Ganga Singh, Bikaner                     |     | M-16 |      |      |  |      |  |
| 12 | Ahmedabad University, Ahmedabad                   | M-5 |      |      |      |  |      |  |
| 13 | Maharashtra University of Health Sciences         |     |      | M-23 |      |  |      |  |
| 14 | Mohanlal Sukhadiya University, Udaipur            | M-6 |      |      |      |  |      |  |
| 15 | Maharaja Krishnakumarsinhji Bhavnagar University  |     | M-17 |      |      |  |      |  |
| 16 | Gujrat University                                 | Bye |      |      |      |  |      |  |
|    |   |     |      |      | M-27 |  |      |  |
|    |   |     |      |      |      |  | B    |  |
|    |   |     |      |      |      |  | M-31 |  |





# Sanjay Ghodawat University Kolhapur

Established as a State Private University under Govt. of Maharashtra Act No. XL dated 3rd May 201

***Empowering Lives Globally !***

**West-Zone Inter University Tennis Men & Women Tournament 2025-2026**

**Date of Tournament 7 to 11 Jan 2026**

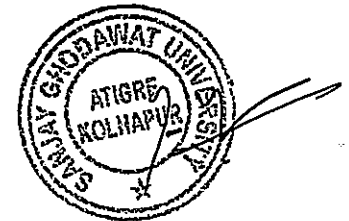
**Fixtures for Women's**

## **Pool - C**

|    |   |  |  |  |  |  |  |  |  |
|----|---|--|--|--|--|--|--|--|--|
| 17 | Savitribai Phule, Pune                      |  |  |  |  |  |  |  |  |
| 18 | University of Rajasthan, Jaipur             |  |  |  |  |  |  |  |  |
| 19 | Jai Narain Vyas University, Jodhpur         |  |  |  |  |  |  |  |  |
| 20 | Somaiya Vidyavihar university, Mumbai       |  |  |  |  |  |  |  |  |
| 21 | Kaviyitri Baniyabai university, Jalgaon     |  |  |  |  |  |  |  |  |
| 22 | Veer Narmad South Gujarat University Surat. |  |  |  |  |  |  |  |  |
| 23 | Banasthali Vidyapith , Rajasthan            |  |  |  |  |  |  |  |  |
| 24 | University of Mumbai                        |  |  |  |  |  |  |  |  |
| 25 | University of Kota, Kota                    |  |  |  |  |  |  |  |  |

|     |     |      |     |      |      |      |      |    |
|-----|-----|------|-----|------|------|------|------|----|
| M-7 | M-8 | M-18 | M-9 | M-10 | M-19 | M-24 | M-28 | C  |
|     |     |      |     |      |      |      |      | 32 |





# Sanjay Ghodawat University Kolhapur

Established as a State Private University under Govt. of Maharashtra Act No. XL dated 3rd May 2017

***Empowering Lives Globally !***

**West-Zone Inter University Tennis Men & Women Tournament 2025-2026**

**Date of Tournament 7 to 11 Jan 2026**

**Fixtures for Women's**

## **Pool - D**

|    |  |      |      |      |  |      |      |   |  |
|----|--|------|------|------|--|------|------|---|--|
| 25 | Shivaji University, Kolhapur                     |      |      |      |  |      |      |   |  |
| 26 | Symbiosis International (Deemed University)      | M-11 |      |      |  |      |      |   |  |
| 27 | Rajiv Gandhi Proudyogiki Vishwavidyalaya, Bhopal |      | M-20 |      |  |      |      |   |  |
| 28 | Manipal University, Jaipur                       | M-12 |      |      |  |      |      |   |  |
| 29 | Govind Guru Tribal University, Banswara          |      |      | M-25 |  |      |      |   |  |
| 30 | Dr.B. A. M. Uni.(MS)                             | M-13 |      |      |  | M-29 |      | D |  |
| 31 | Saurashtra University                            |      | M-21 |      |  |      | M-33 |   |  |
| 32 | Hemchandracharya North Gujrat                    | Bye  |      |      |  |      |      |   |  |



Date: - 12/01/2026

## TOURNAMENT REPORT

### West Zone Inter University Tennis (Women) Championship

Session 2025-26

Championship Date: 07/01/2026 - 11/01/2026

Organizer: Sanjay Ghodawat University, Kolhapur, Maharashtra


The West Zone Inter University Tennis (Women) Championship 2025-26 was successfully organized by Sanjay Ghodawat University, Kolhapur, Maharashtra from 07th January to 11st January 2026. The tournament witnessed intense competition, with participating teams showcasing exceptional skills, teamwork, and sportsmanship.

A total of **32 university teams** participated in the championship, competing in **33 knock-out matches**. After a series of thrilling encounters, the top four universities secured their places in the **All India Inter University Tennis (Women) Championship**. The final rankings of the qualified teams are as follows:

| Sr. No. | University Name                         | Position         |
|---------|---|------------------|
| 1       | Govind Guru Tribal University ,Banswara | Winner           |
| 2.      | Savatribai Phule Pune University Pune   | Runner-Up.       |
| 3       | Gujarat University,Gujarat              | Third Position   |
| 4.      | Laxmibai National Institute, Gwalior    | Fourth Position. |

The championship was a grand success, with players demonstrating outstanding dedication and athletic excellence. **The Organizing Committee** extends heartfelt congratulations to all participating teams and expresses sincere gratitude to the **officials, volunteers, and supporters** for their invaluable contributions in making this event a memorable one.

Yours faithfully,

  
Mr. Suryajeet S. Ghorpade  
Organizing Secretary  
Sanjay Ghodawat University, Kolhapur

